



BWE Roller Doors UK

Enhance your home
Create more space
Increase the security of your garage

We've got the garage door you're looking for

BWE Roller Doors UK are based in the South East and specialises in manufacturing roller garage doors.



BWE55 Roller Garage Door - White



BWE77 Double Roller Garage Door - Golden Oak

BWE Roller Doors are an effective addition to your home. The benefits of using a roller garage door are numerous over a conventional door.

When fitted on the rear face of your garage opening, they maximize your drive through width removing the need for a timber sub-frame. The roller garage door also rises vertically and does not kick-out like a traditional up and over garage door, so they are ideal for homes with short driveways or where space is at a premium.

Manufactured from strong corrosion-resistant aluminium with an insulated core, they are ideal if you are planning to use your garage as a playroom, workshop, gym home office or storeroom.

Peace of mind guarantee - all BWE roller doors are guaranteed for 5 years from the date of purchase against defect of material or workmanship (subject to correct installation, maintenance and operation).

Made to measure - no compromise on weather protection, insulation or security.

Safe and secure - all roller garage doors come complete with their own safety system as standard.

Investing in a new BWE roller garage door makes sense

Virtually maintenance free - the curtain needs wiping with a damp cloth and a mild detergent to remove any excessive dirt or grime, to maintain its prime appearance and to reduce the risk of a surface being damaged.

The motor and curtain has been designed to be lubrication free. In the event of your door being scratched it is advisable to touch up the damaged area with paint to prevent any possible corrosion. If required, 25ml pots of touch up paint can be obtained.

CE marked - Complaint with European directives and regulations.



BWE55 Roller Garage Door - White



BWE55 Roller Garage Door - Red



Internal view showing canopy (box)



BWE55 Roller Garage Door - Black



BWE77 Roller Garage Door - Dark Blue



BWE55 Roller Garage Door - Black

BWE Colour Range

Our roller garage doors can be made in any colour and finish to match and enhance your home.

Solid Colour Range



Wood Effect Colour Range



Colour Sample Service

Unsure which colour or wood effect to choose? Then simply request a sample from your installation engineer and we will post a swatch to you.

Custom Colour Range

If you wish to order a specific colour that is not our standard range, we can powder coat your door and guides to match any RAL OR BS colour. Powder coating is an optional extra cost but means that you can match your door to existing paintwork or to the exact colour you desire.

Colour Variations

Although we have ensured that the colour swatches shown here are representative, they may not reflect the shade of our lath exactly. We advise requesting or looking at a colour sample before ordering, to be completely sure that you are satisfied with your final choice. Also due to the nature of the design of the wood grain effect, slight variations in pattern may be present in the curtain. This is natural part of the look and feel of a wood effect curtain.

+ Laminated finish

Not all colours and finishes are available in 55mm. Please ask for details.

Key Features at a Glance

Control System

All BWE roller doors are supplied with a wireless safety system and two 2-channel hand transmitters as standard.

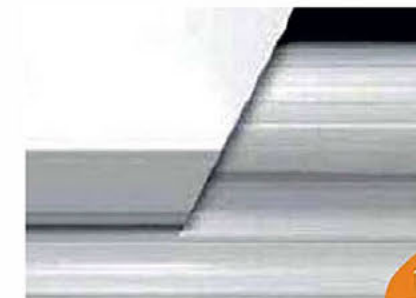
- Front panel LED diagnostics
- No magnets required
- Deep bottom seal
- Pre-programmed and tested



2 Channel Hand Transmitter



Control Panel



Choice of canopy size



Draft protection



Wall Mounted Remote Controls



Wireless Keypad (Optional Extra)



Range of Alarms



Auto lock system

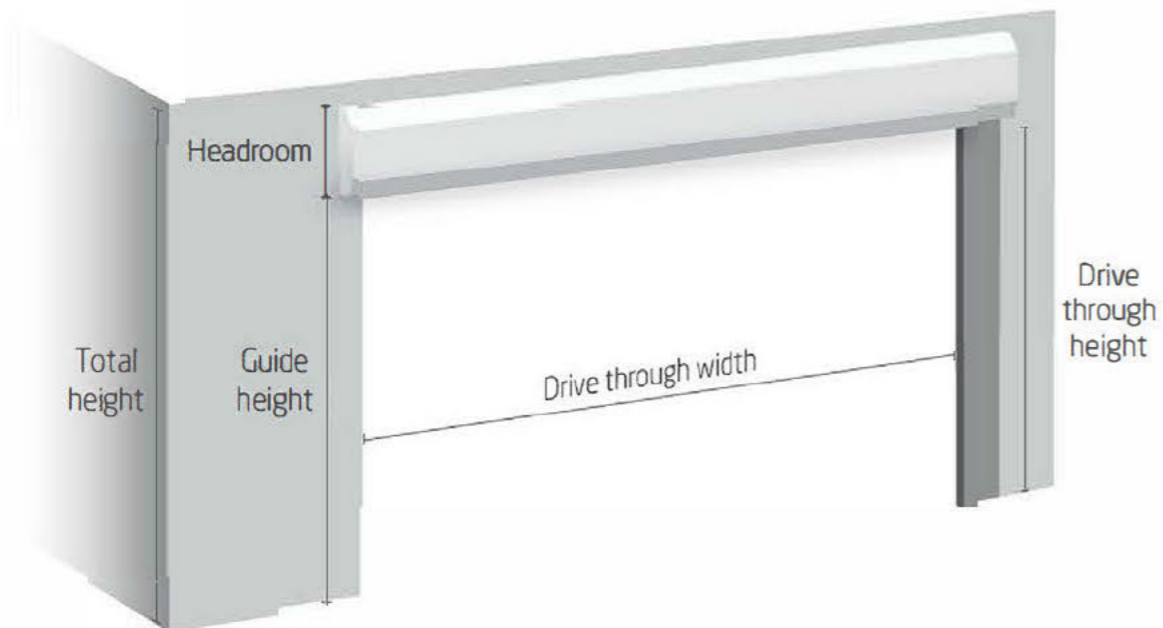


Optimum lath thickness



Rubber Edge

Fitting Requirements



Headroom Requirements

- BWE77 doors require a headroom of 300mm and use 70mm guides for doors up to 3m wide. 95mm guides are used on doors over 3m wide.
- BWE55 compact doors require 205mm headroom and use 66mm guides.
- The bottom lath of your roller garage will hang down in to the opening of the garage, so will reduce the drive through height.
- If the door is being installed between the opening, the drive through width will be reduced by the total guide widths. The drive through height will be reduced by the headroom requirements and bottom lath size.

Door Positions

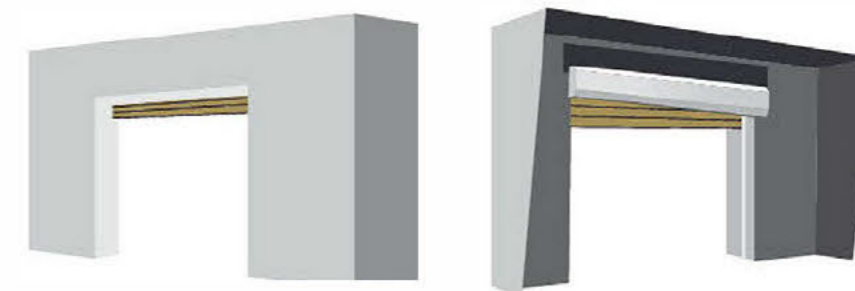
Internal Face Fix

This is the most popular type of fitting position. It needs sufficient side and headroom and is installed directly to the inside of the garage opening.



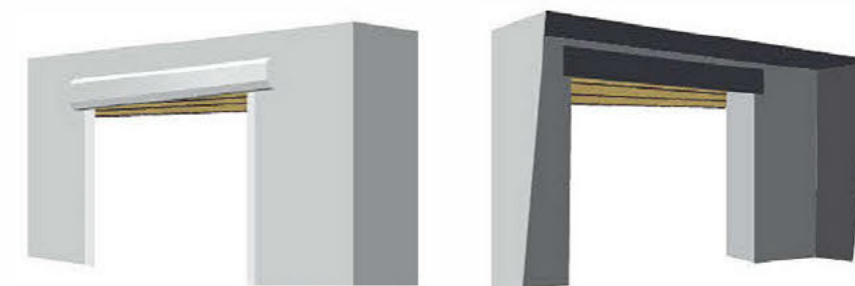
Reveal Fix

For garages where there is limited side or headroom, a reveal fit is a good option. However it reduces the drive through width and height, which needs to be a consideration for the overall use of the garage.



External Face Fix

When there is not enough room to install on the inside, but where maximum drive through width and height is required, an external fix is the ideal option.



BWE Roller Garage Door - Features

Manual Doors

We also supply all our doors with a manual operation if required. Manual doors are available in sizes up to 3 metres wide. We advise customers that larger doors may be heavier to operate manually, so this needs to be taken in to consideration when ordering.

External Doors

Where the roller door is installed externally, the remote control system must be installed either inside the garage or in a waterproof box (which is an operational extra). The bottom slat transmitter must always be installed on the internal face of the door and is not suitable for applications where it will be exposed to weather or excessive moisture due to condensation.

Canopy and Guides

Our canopy and guides are supplied in white or brown as standard, however they can be supplied in any colour to match the colour of the door curtain if required.

External Manual Override

All our doors are supplied with an internal manual override kit in case of a power failure. If your garage door is the only means of access then we recommend an additional low level external manual override kit, to enable full access to the garage should a power failure arise.

Vision Slats

Vision slats allow natural light into your garage and are available with or without glazing. On wood grain doors they are supplied in a brown finish.

Extruded Lath

We also supply a 44mm or 55mm extruded non-insulated lath. Available in white as standard or colour coated to your exact requirements as an optional extra.

	BWE 55 mm Foam Filled	BWE 77 mm Foam Filled
Curtain Description	Compact	Classic
Product Code	BWE55	BWE77
Lath Height	55mm	77mm
End Plate Sizes	205mm	300mm
Guide Sizes	66mm	70mm or 95mm*
Guide Limits		Up to 3m wide use 70mm, Over 3m use 95mm
Roller Shutter Curtain Height	2400mm	3000mm
Headroom Requirement	205mm	300mm
Guide Colours		
Standard (White or Brown)	•	•
Other colours (see colour chart)	◦	◦
Finish	Solid and Wood Effect please see colour chart	
Internal Installation	•	•
Reveal Installation	•	•
External Installation	•	•
5 year limited warranty	•	•
CE Marked	•	•
Electric Operation	•	•
Motor	30Nm or 60Nm	60Nm, 80Nm or 120Nm
Power Supply	13 Amp 240v Single Phase	13 Amp 240v Single Phase
Manual Override	•	•
External Manual Override	◦	◦
Half Box (90° fascia)	•	•
Full Box (with additional 45° fascia)	•	•
Safety System	Photo Cell as standard (Wireless safety edge upgrade available)	
Auto Locking System	•	•
Internal Control Board with Courtesy Light and Up/Down/Stop buttons	•	•
Holiday Security Setting	•	•
Wall Mounted Key Switch Operation	◦	◦
Remote Control Transmitters x2	•	•
Wall Mounted Wireless Rocker Switch	◦	◦
GSM (Call or Text)	◦	◦
Alarm	◦	◦
Windows / Vision slats	◦	◦

Standard • Option ◦ Not Available N/A *100mm guides are also available



BWE Roller Doors

Whether you have limited headroom, require automatic operation, are looking to improve the appearance of your home or to upgrade security, there is a BWE roller garage door that is right for you.

- ⦿ 5 year guarantee
- ⦿ Increase garage capacity
- ⦿ Virtually maintenance free
- ⦿ Unbeatable service and aftercare
- ⦿ Automatic opening allowing easy access
- ⦿ Wide choice of colours to suit all properties

Full range of
BWE Roller
Window Shutters
now available

Please contact your local BWE
roller garage door installation specialist for details